

**SINGER**  
**591V200,V300**

Form U3660(786)  
Part No. 379049-002  
Printed in Japan

# **MACHINE PARTS CHART** **for** **SINGER\***

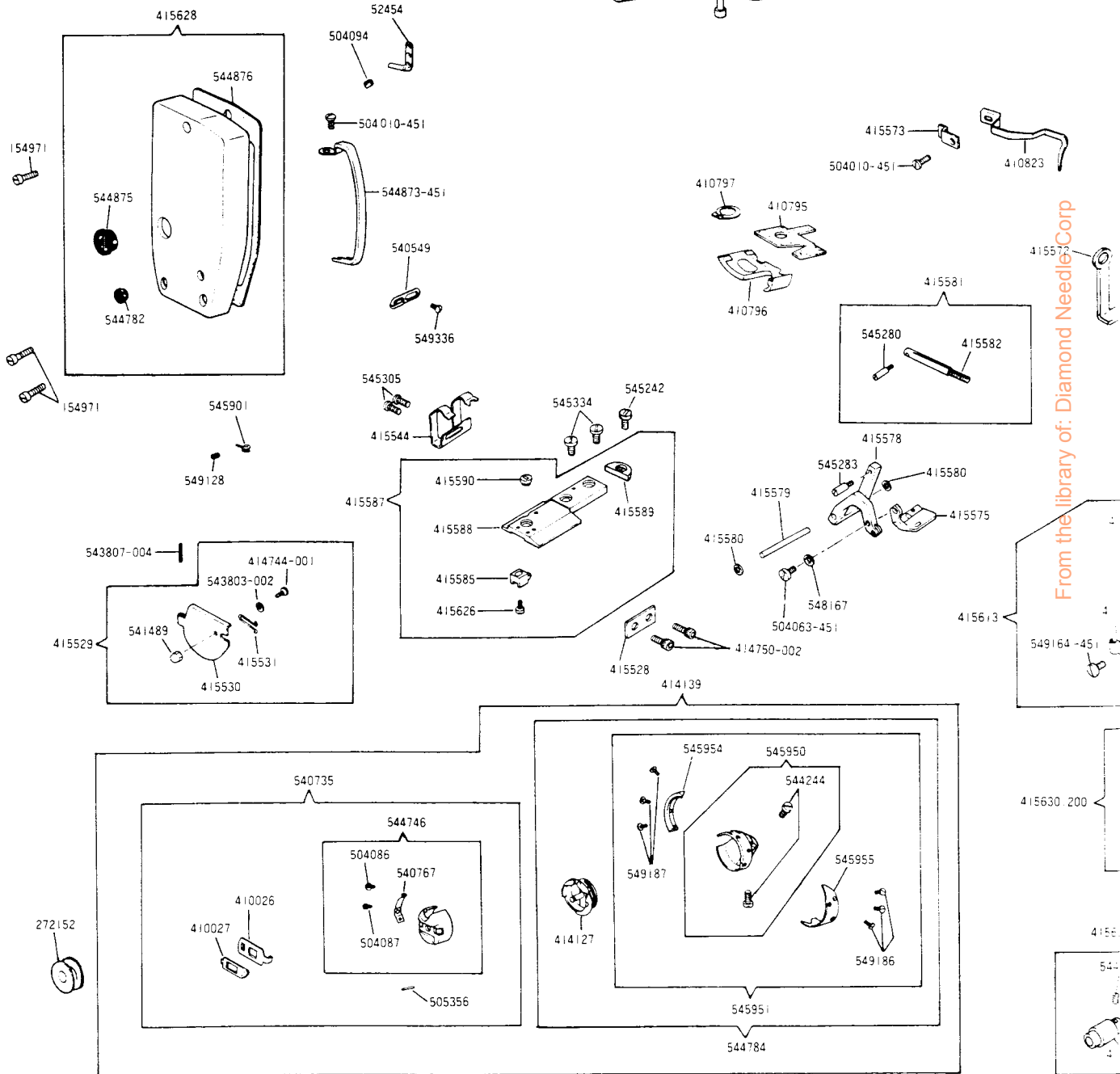
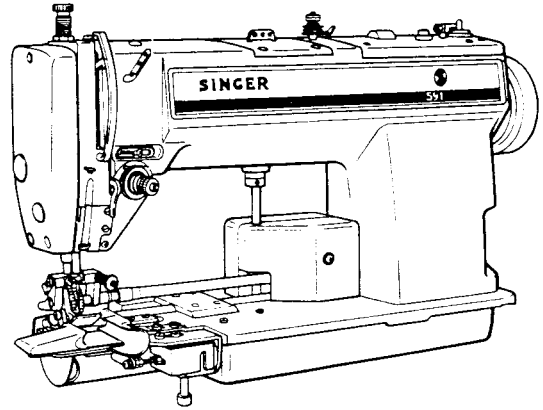
**591** v200

**591** v300

From the library of: Diamond Needle Corp

# SINGER\*

## 591 V200/300

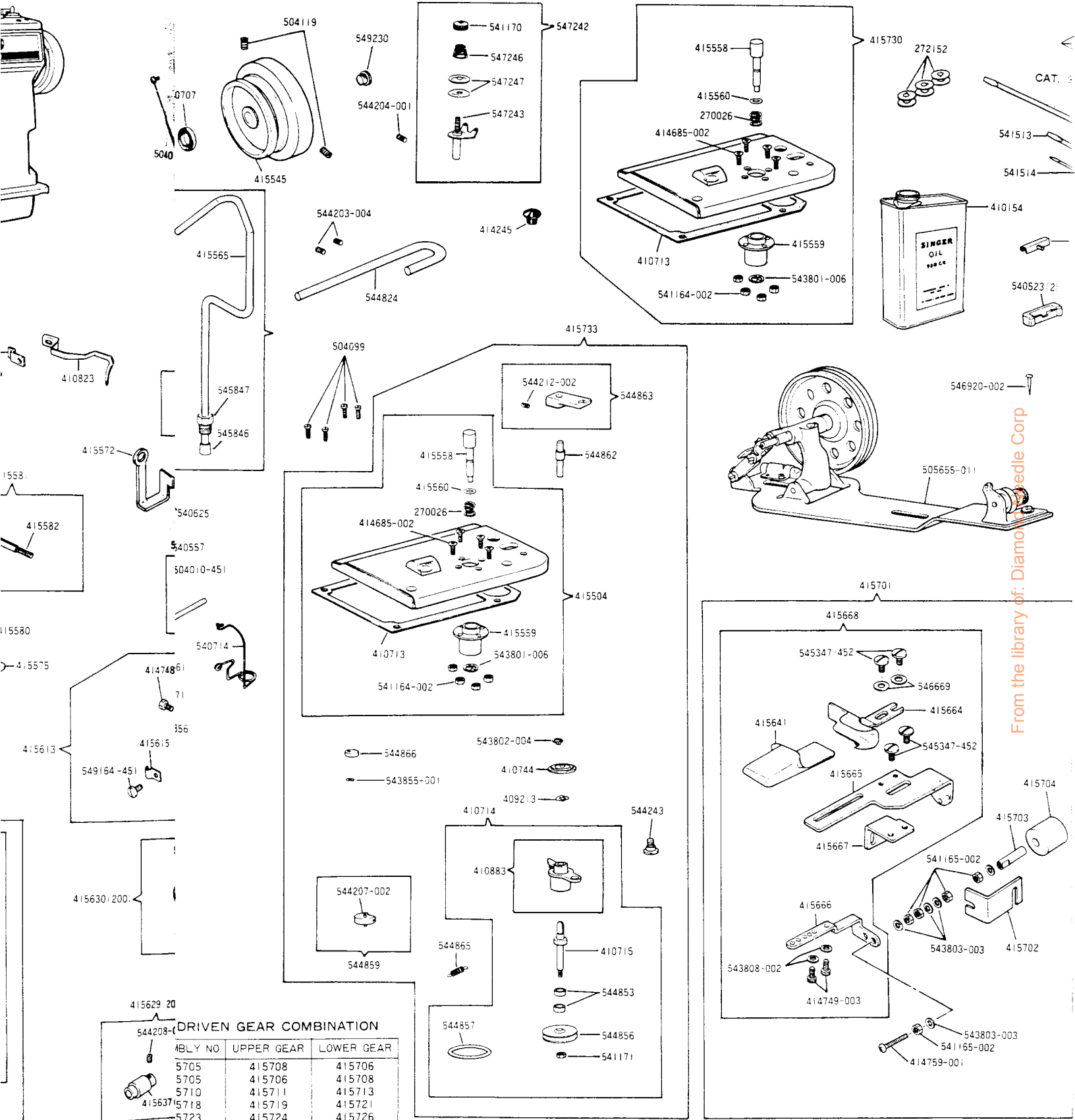


From the library of: Diamond NeedleCorp

with U.T.T. same Hook as 591D. U.T.T.  
is used. i.e. P/N. 544784



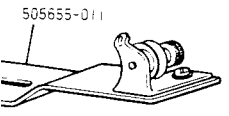
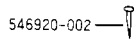
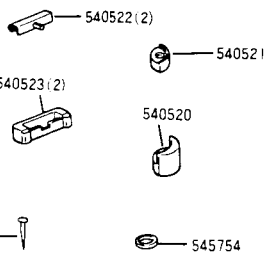
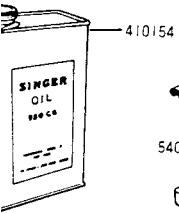
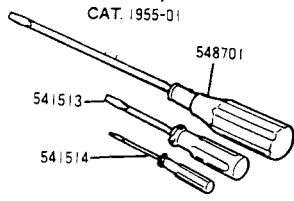




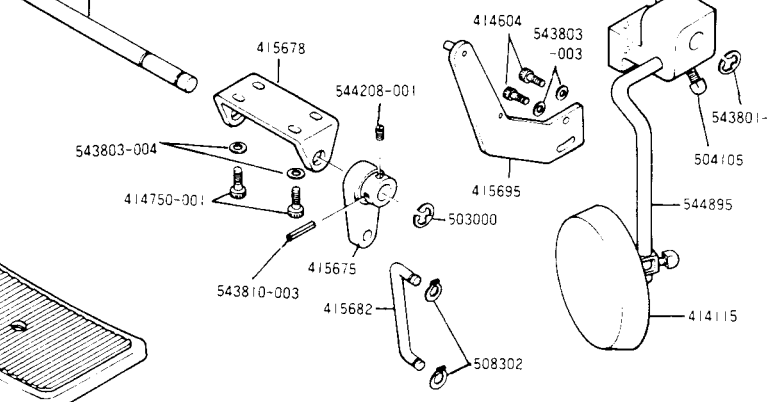
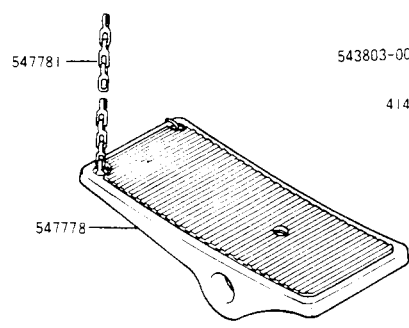
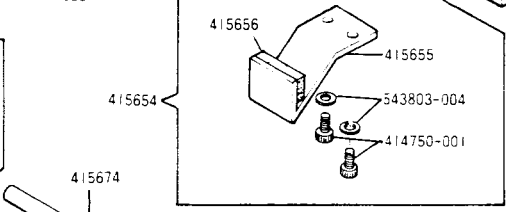
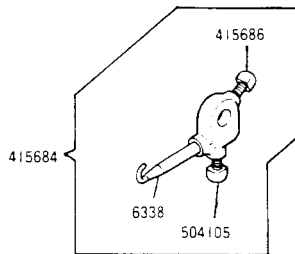
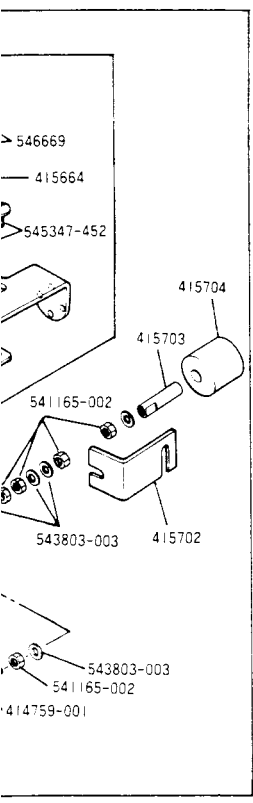
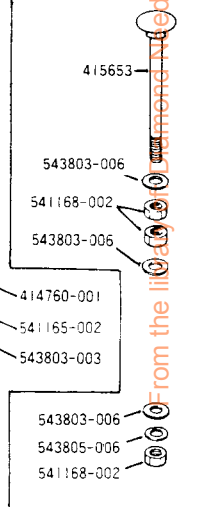
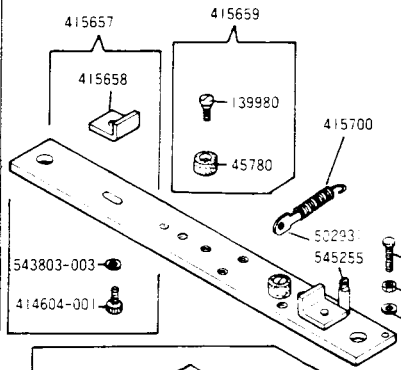
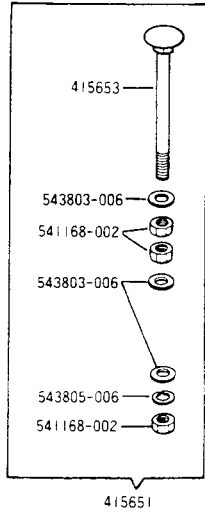
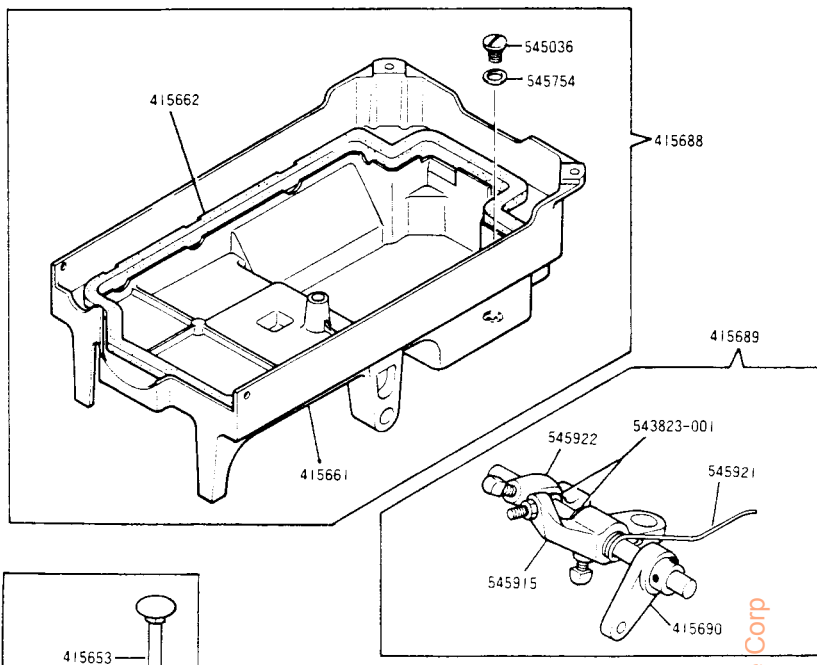
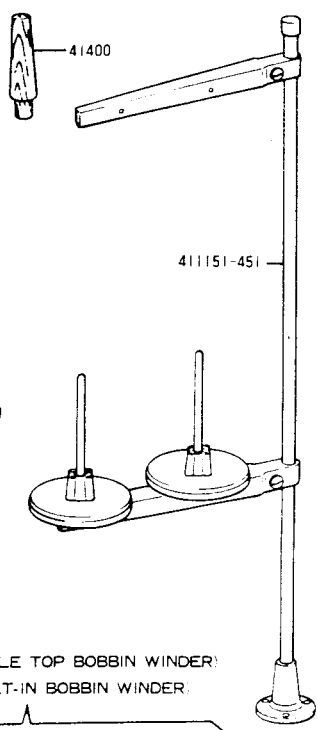
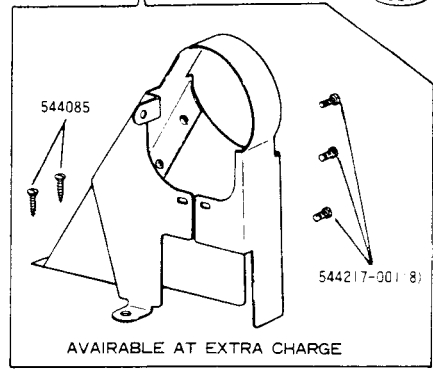
From the library of: Diamond Needle Corp

**DRIVEN GEAR COMBINATION**

ASSEMBLY NO.	UPPER GEAR	LOWER GEAR
5705	415708	415706
5705	415706	415708
5710	415711	415713
5718	415719	415721
5723	415724	415726



414260 FOR TABLE TOP BOBBIN WINDER:  
410769 FOR BUILT-IN BOBBIN WINDER:



From the **110** by **110** Diamond Needle Corp